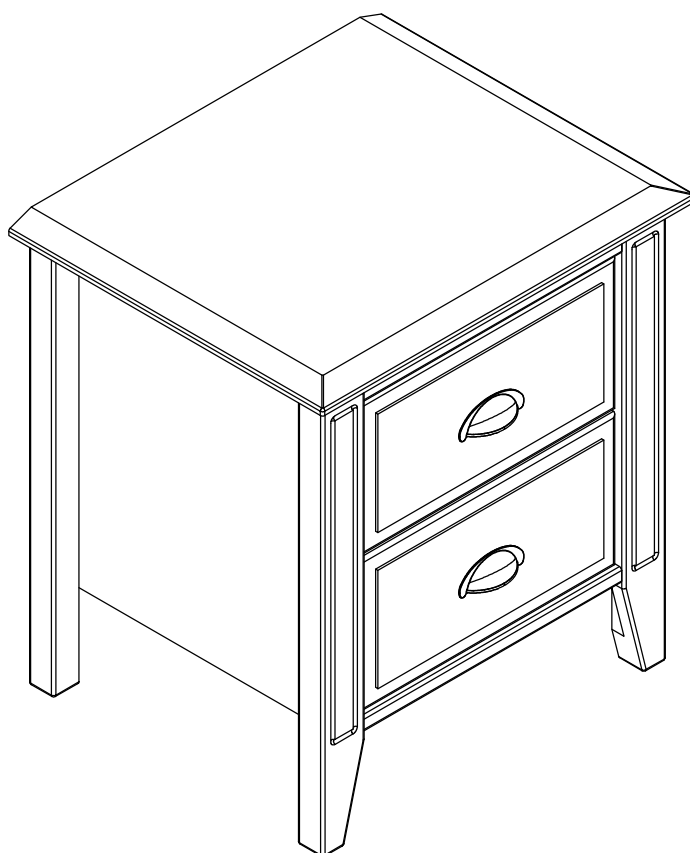


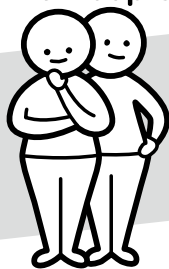


**Fantastic
Furniture**

Version 1.0



Two People



Required

Torkay

Bedside 2 Drawer White Walnut

fantasticfurniture.com.au

**WARNING: ENSURE THE WALL STRAP IS ATTACHED TO
AVOID SERIOUS INJURY.**



To avoid any serious or fatal injury, this product has been provided with a wall strap to prevent toppling. We strongly recommend that this product is permanently fixed to the wall or other suitable surface. Fixing devices are not included since different surface materials require different attachments. Please seek professional advice if you are in doubt of what fixing device to use.

Looks like you've found your Fantastic!

We're thrilled you've chosen Fantastic Furniture
to help create a home you'll love!



Fantastic Furniture

Love it? Share it!

Fantastic buy! Share how it looks at home on Instagram for
your chance to win a \$250 Fantastic Furniture Gift Card!

@fantasticfurniture

Assembly checklist



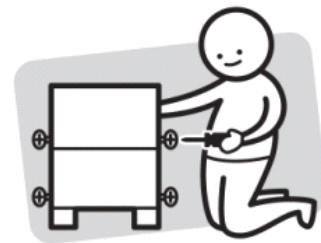
Read through the instructions carefully before you begin.



Make sure you have all the required tools. Never use power tools unless instructed.



Identify and lay out all of the components before you begin assembly.



Unless instructed, do not fully tighten screws until the item is fully assembled.

Useful Information

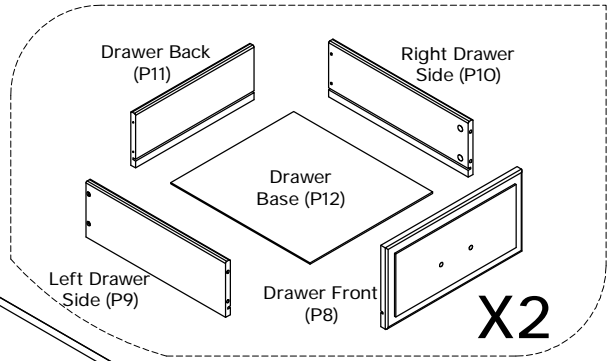
- ! Never use power tools unless specifically instructed. They can damage your components or hardware if used incorrectly.
- ! The most common mistakes made during assembly are using the wrong hardware or getting components back to front.
- ! Always use a soft surface (such as carpet or cardboard) when assembling your product to avoid scratching or damaging the surface of the product.
- ! Bulky items such as wardrobes and bunk bed should be assembled in the room they will be used in as they may not fit through a door once assembled.
- ! Never use any glue until you are certain that the parts belong together.
- ! Periodically check and re-tighten all fasteners. Check the product care label or website for product care instructions.
- ! If you are having any difficulties assembling your product, missing any hardware or components please visit our website Help Centre for further assistance.
- ! Please see page 2 for any safety requirements or weight restrictions.

What you Need

To assemble the product

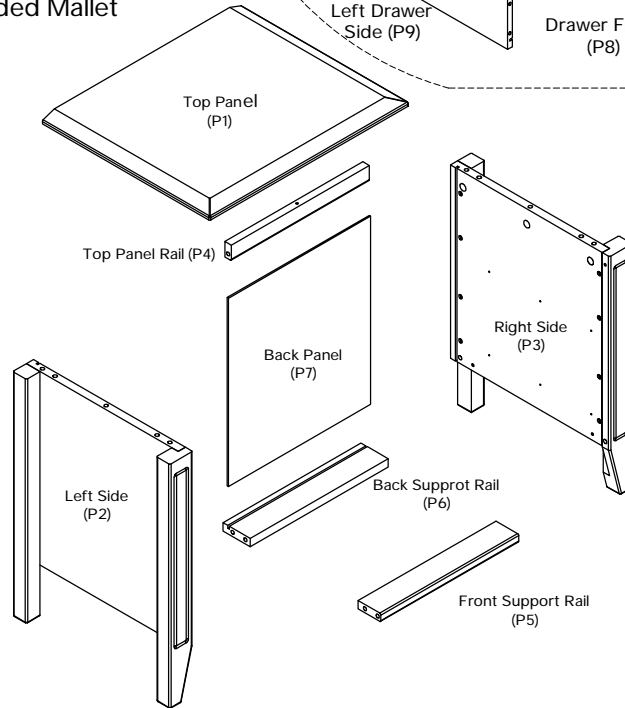


Other tools you need:
Phillips Head Screwdriver
Soft Headed Mallet

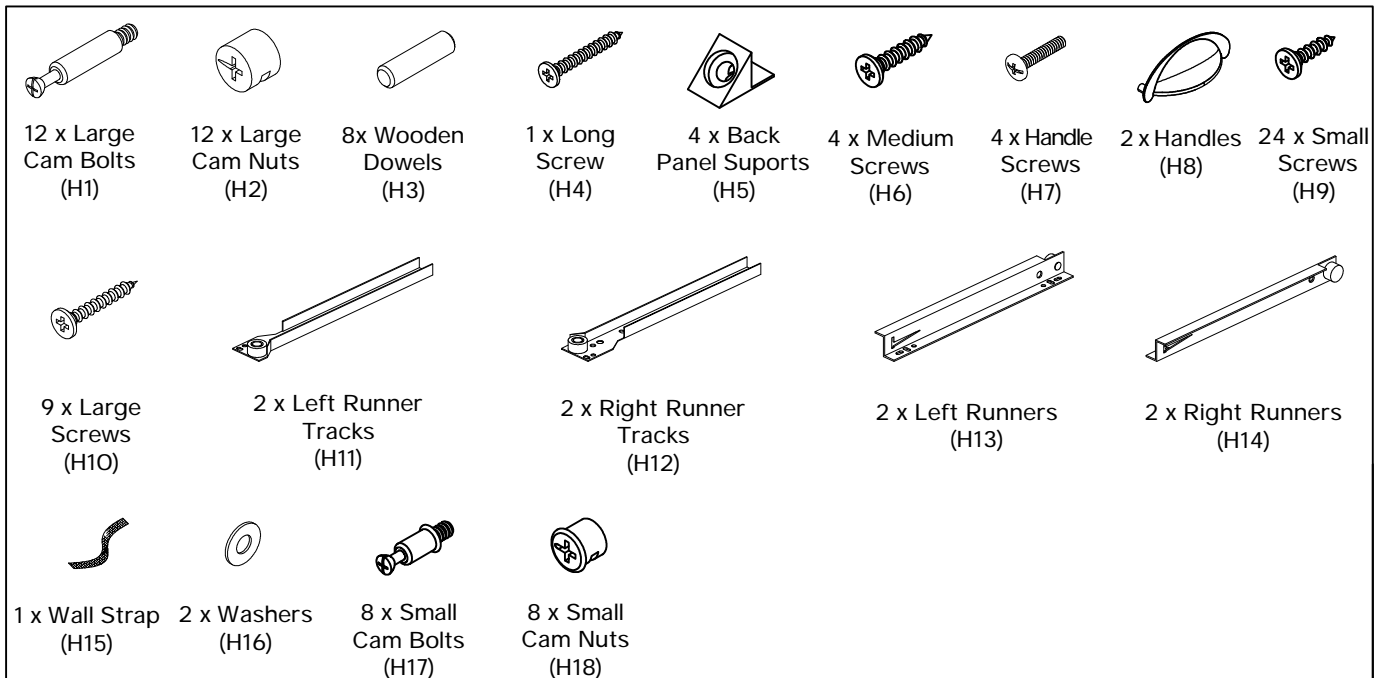


Part list

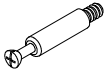
- 1 x Top Panel (P1);
- 1 x Left Side (P2);
- 1 x Right Side (P3);
- 1 x Top Panel Rail (P4);
- 1 x Front Support Rail (P5);
- 1 x Back Support Rail (P6);
- 1 x Back Panel (P7);
- 2 x Drawer Fronts (P8);
- 2 x Left Drawer Sides (P9);
- 2 x Right Drawer Sides (P10);
- 2 x Drawer Backs (P11);
- 2 x Drawer Bases (P12).

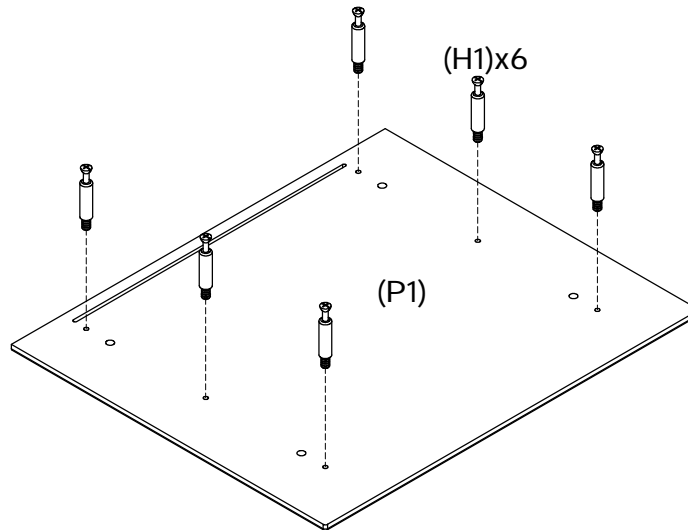


Hardware Pack



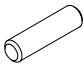

Step 1

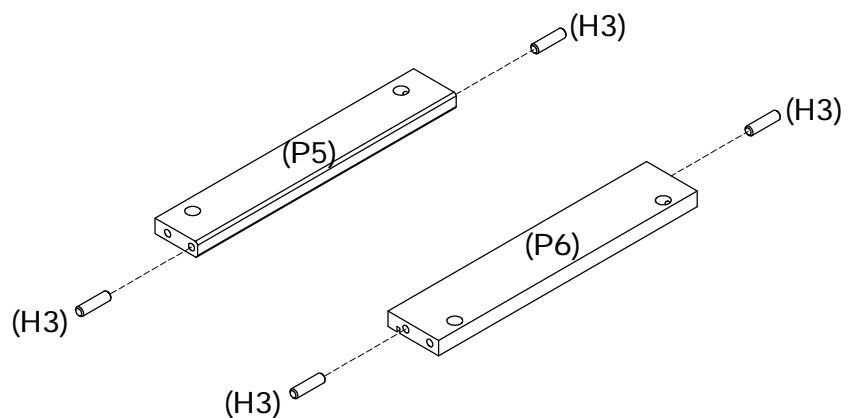
You will need:	
	
6 x Large Cam Bolts (H1)	Phillips Head Screwdriver



Attach 6 x large cam bolts (H1) to top panel (P1), tightening using a phillips head screwdriver.

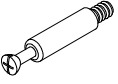

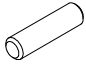

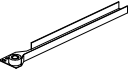

Step 2

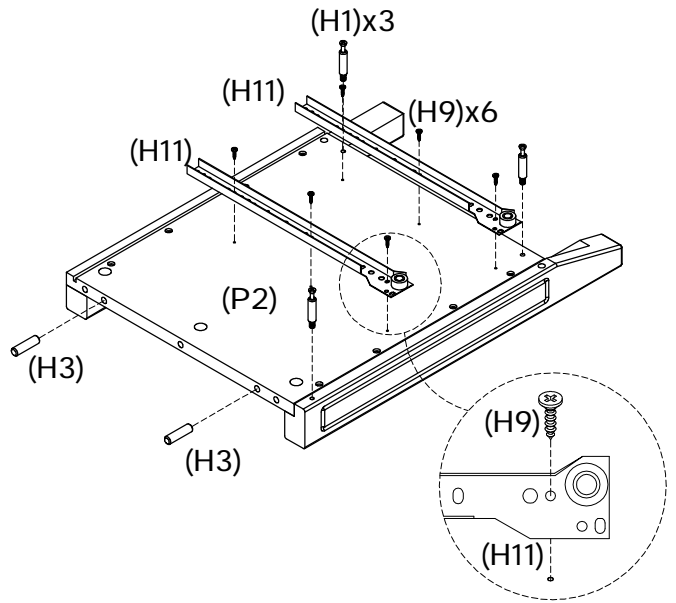
You will need:	
	
4 x Wooden Dowels (H3)	Soft Headed Mallet



Insert 4 x wooden dowels (H3) into the front support rail (P5) and back support rail (P6) using a soft headed mallet.

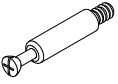

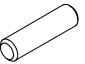

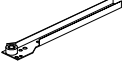

Step 3

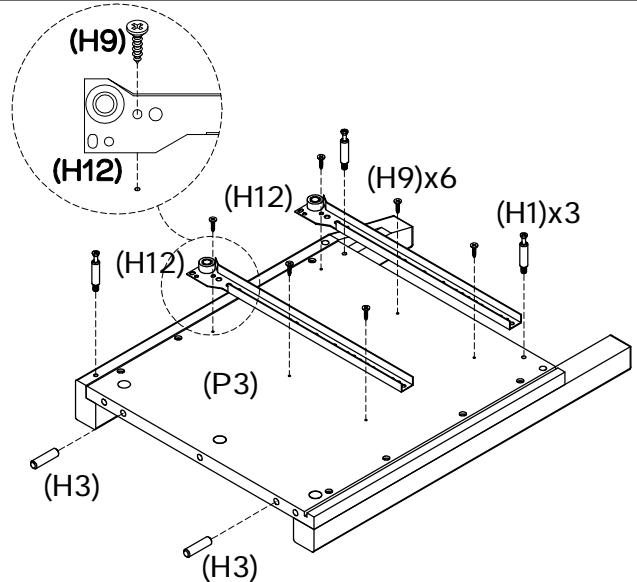
You will need:			
	3 x Large Cam Bolts (H1)		6 x Small Screws (H9)
	2 x Wooden Dowels (H3)		Phillips Head Screwdriver
	2 x Left Runner Tracks (H11)		Soft Headed Mallet



Attach 3 x large cam bolts (H1) to left side (P2), tightening using a phillips head screwdriver. Insert 2 x wooden dowels (H3) into the left side (P2) using a soft headed mallet. Attach 2 x left runner tracks (H11) to left side (P2) using 6 x small screws (H9), tightening with a phillips head screwdriver. Ensure you insert the small screws (H9) into the holes on the tracks (H11) as shown.

Step 4

You will need:			
	3 x Large Cam Bolts (H1)		6 x Small Screws (H9)
	2 x Wooden Dowels (H3)		Phillips Head Screwdriver
	2 x Right Runner Tracks (H12)		Soft Headed Mallet



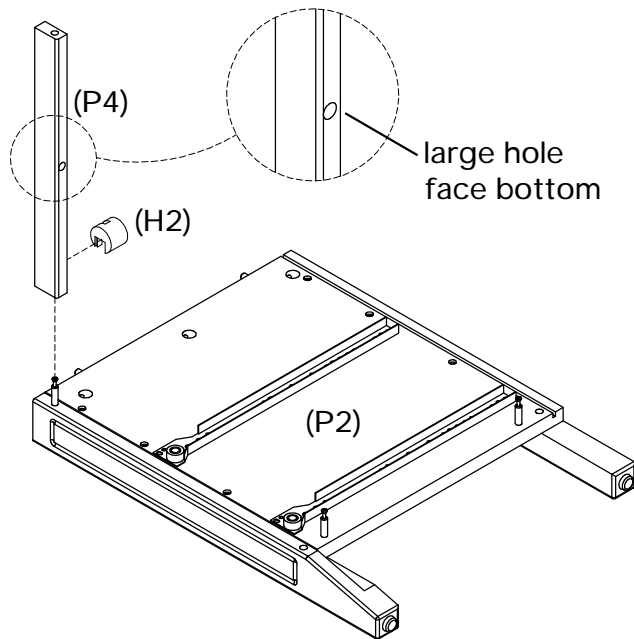
Attach 3 x large cam bolts (H1) to right side (P3), tightening using a phillips head screwdriver. Insert 2 x wooden dowels (H3) into the right side (P3) using a soft headed mallet. Attach 2 x right runner tracks (H12) to right side (P3) using 6 x small screws (H9), tightening with a phillips head screwdriver. Ensure you insert the screws (H9) into the holes on the tracks (H12) as shown.

Step 5

You will need:	
1 x Large Cam Nut (H2)	Phillips Head Screwdriver

This is how a cam nut works.....

The head of the cam bolt goes into the open mouth of the cam nut. You then turn the cam nut so it tightens over the bolt.



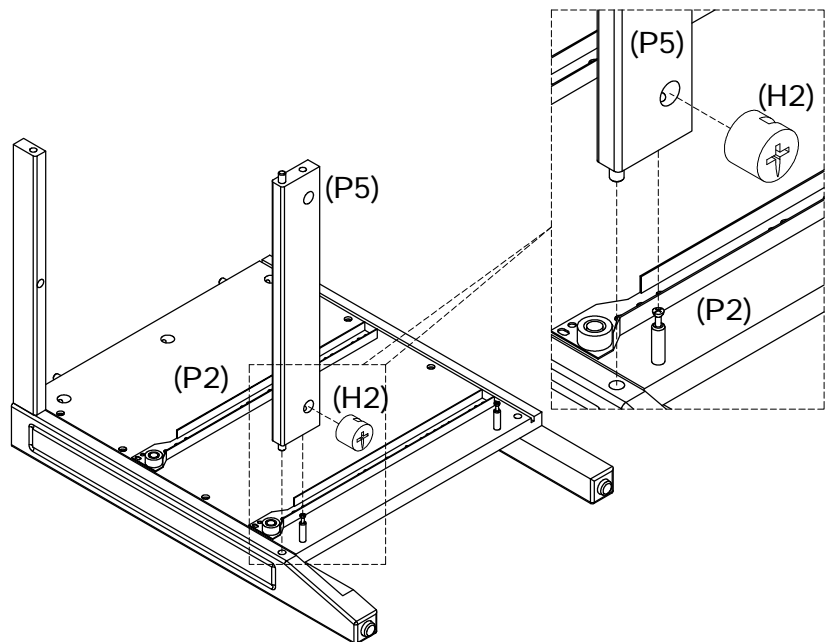
Attach top panel rail (P4) to left side (P2) ensuring the hole on the rail (P4) is facing down as shown. Insert large cam nut (H2) into rail (P4) and rotate so the arrow points towards the incoming cam bolt. Turn the cam nut (H2) clockwise to lock.

Step 6

You will need:	
1 x Large Cam Nut (H2)	Phillips Head Screwdriver

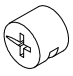

This is how a cam nut works.....

The head of the cam bolt goes into the open mouth of the cam nut. You then turn the cam nut so it tightens over the bolt.

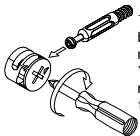


Attach front support rail (P5) to left side (P2) ensuring the holes are facing down as shown. Insert 1 x large cam nut (H2) into support rail (P5) and rotate the cam nut so the arrow points towards the incoming cam bolt. Turn clockwise using a phillips head screwdriver to lock.

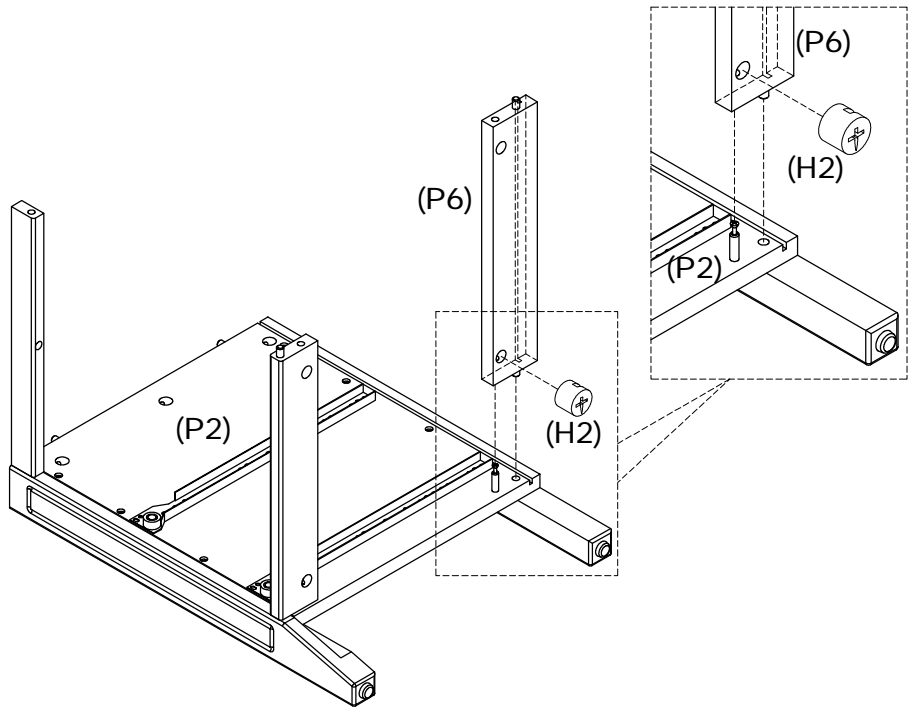
Step 7

You will need:	
	
1 x Large Cam Nut (H2)	Phillips Head Screwdriver

This is how a cam nut works.....

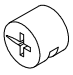



The head of the cam bolt goes into the open mouth of the cam nut. You then turn the cam nut so it tightens over the bolt.

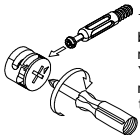


Attach back support rail (P6) to left side (P2), ensuring the holes are facing down as shown. Insert 1 x large cam nut (H2) into support rail (P6) and rotate so the cam nut so the arrow points towards the incoming cam bolt. Turn clockwise using a phillips head screwdriver to lock.

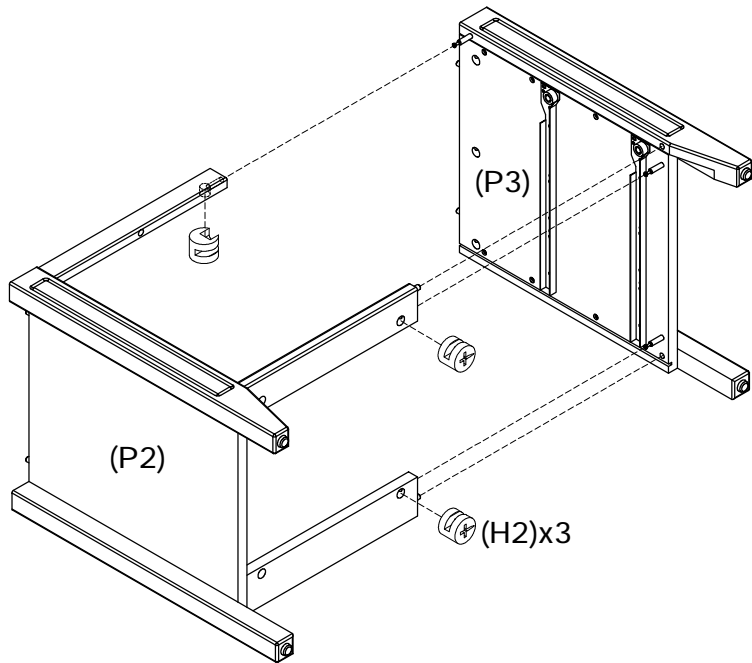
Step 8

You will need:	
	
3 x Large Cam Nuts (H2)	Phillips Head Screwdriver

This is how a cam nut works.....

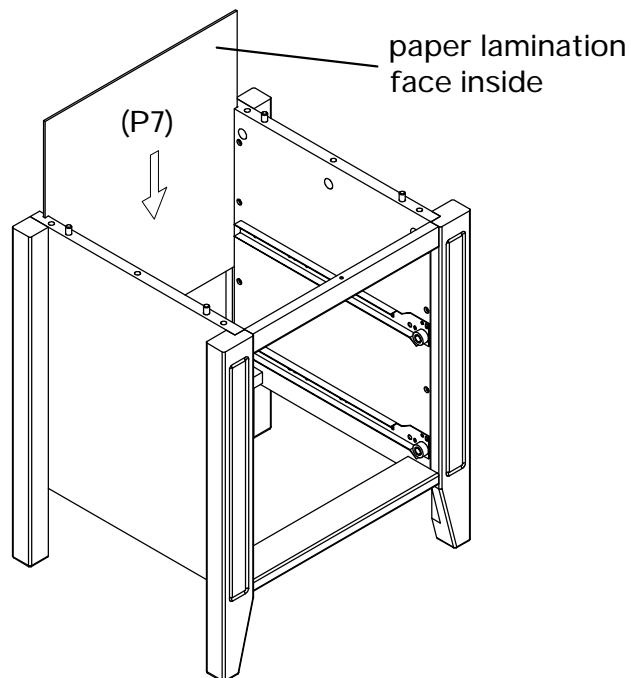


The head of the cam bolt goes into the open mouth of the cam nut. You then turn the cam nut so it tightens over the bolt.



Attach right side (P3) to the rails (P4, P5, P6) and insert 1 x large cam nut (H2) into each rail (P4, P5, P6) as shown. Rotate the cam nuts (H2) so the arrows point towards the incoming cam bolt. Turn clockwise using a phillips head screw driver to lock.

Step 9



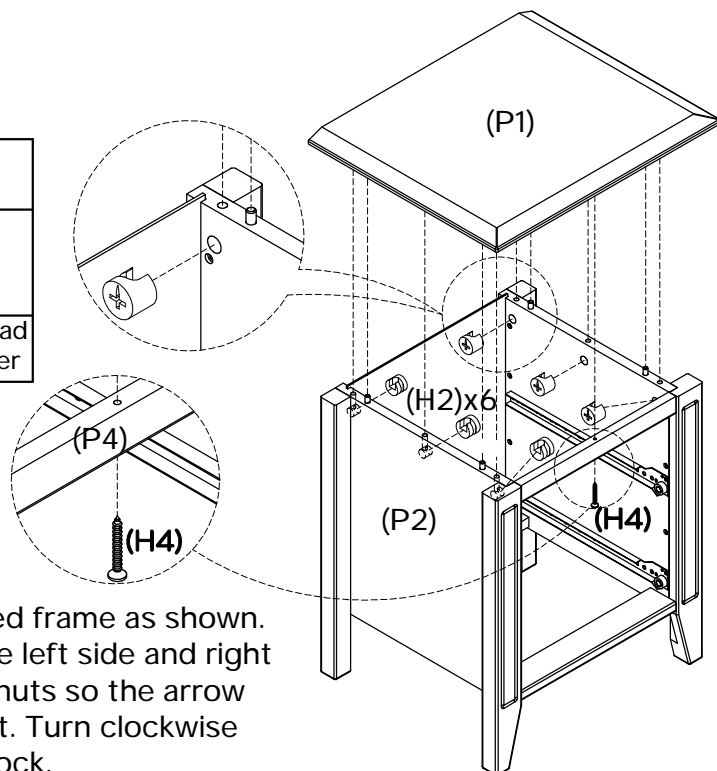
Slide the back panel (P7) into the grooves on the left and right side (P2, P3).

Step 10

You will need:		
6 x Large Cam Nuts (H2)	1 x Long Screw (H4)	Phillips Head Screwdriver

This is how a cam nut works.....

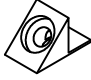


The head of the cam bolt goes into the open mouth of the cam nut. You then turn the cam nut so it tightens over the bolt.

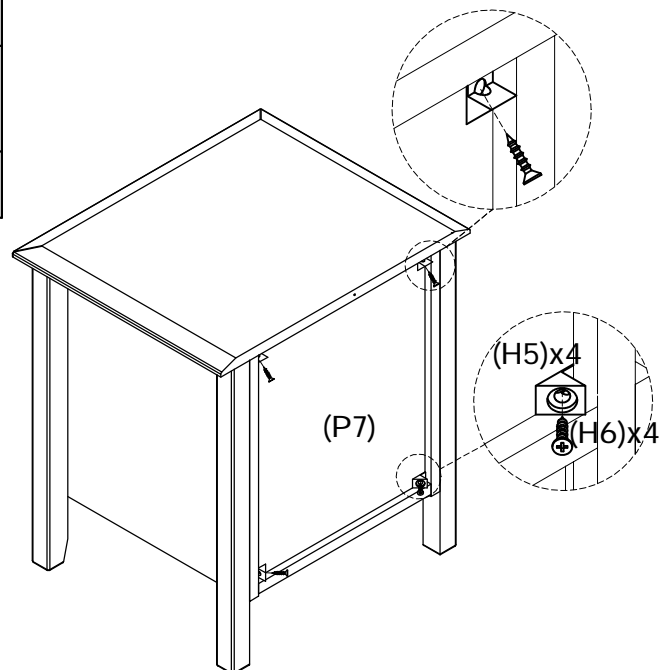


Attach top panel (P1) to the assembled frame as shown. Insert 6 x large cam nuts (H2) into the left side and right side panels (P2, P3). Rotate the cam nuts so the arrow points towards the incoming cam bolt. Turn clockwise using a phillips head screwdriver to lock.

Attach top panel rail (P4) to top panel (P1) using 1 x long screw (H4), tightening with a phillips head screwdriver.



Step 11

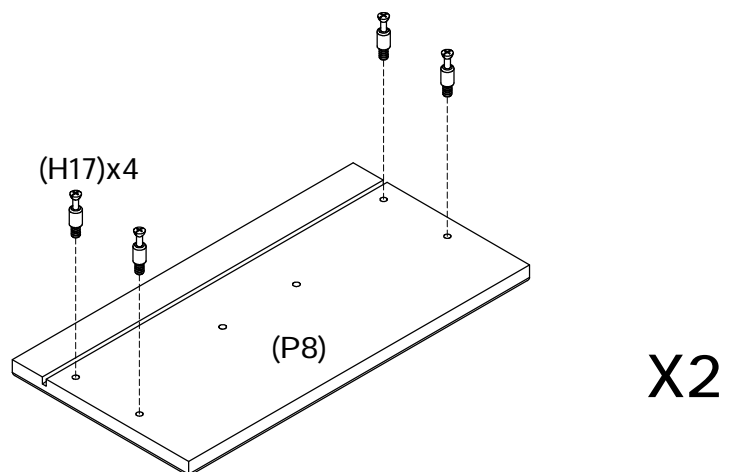
You will need:		
		
4 x Back Panel Supports (H5)	4 x Medium Screws (H6)	Phillips Head Screwdriver



Insert 4 x back panel support (H5) into each corner of the back panel (P7) and secure using 4 x medium screws (H6), tightening with a phillips head screwdriver.



Step 12

You will need:	
	
8 x Small Cam Bolts (H17)	Phillips Head Screwdriver




Attach 4 x small cam bolts (H17) to 1 x drawer front (P8) and tighten using a phillips head screwdriver.
Repeat process for the other drawer front (P8).

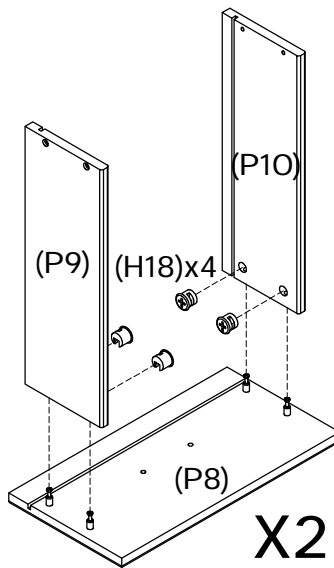
Step 13

You will need:	
	
4 x Small Cam Nuts (H18)	Phillips Head Screwdriver

This is how a cam nut works.....

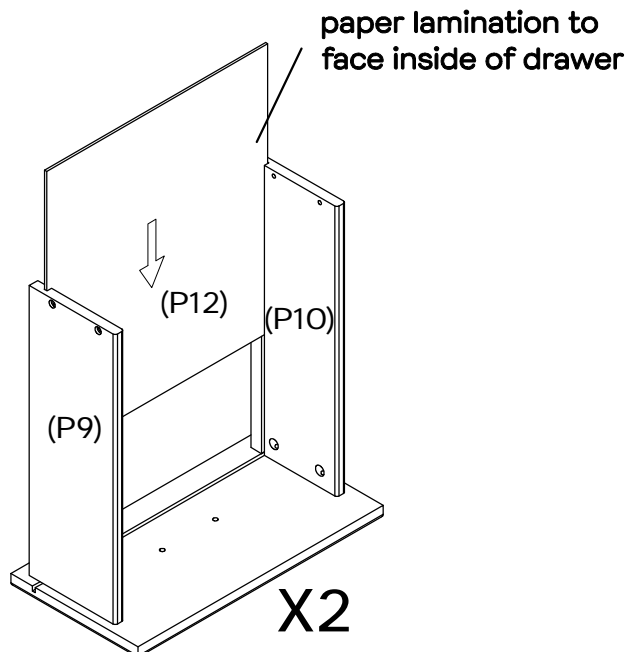


The head of the cam bolt goes into the open mouth of the cam nut. You then turn the cam nut so it tightens over the bolt.



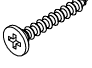

Attach 1 x left drawer side (P9) and 1 x right drawer side (P10) to 1 x drawer front (P8), ensuring the grooves on all the panels align. Insert 2 x small cam nuts (H18) into drawer sides (P9, P10) rotating the cam nuts so the arrow points towards the incoming cam bolts. Turn clockwise to lock using a phillips head screwdriver. Repeat process for the other drawer

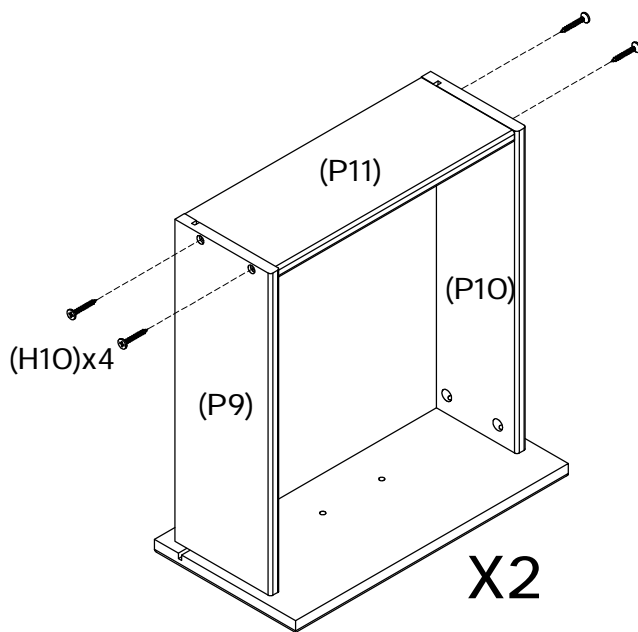
Step 14



Slide drawer base (P12) into the grooves on the drawer sides (P9, P10) and drawer front (P8). Repeat process for the other drawer.




Step 15

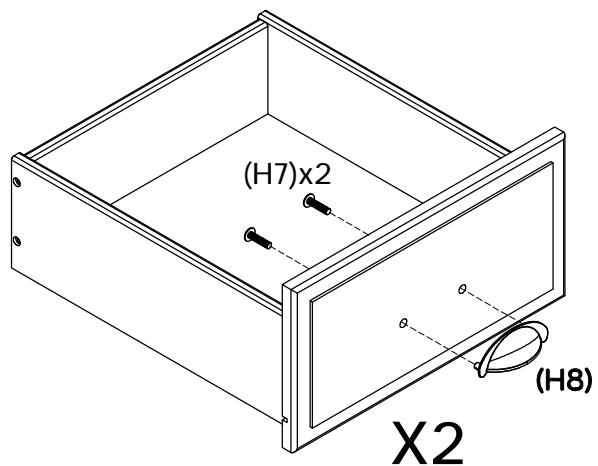
You will need:	
	
8 x Large Screws (H10)	Phillips Head Screwdriver



Attach drawer back (P11) to drawer sides (P9, P10) using 4 x large screws (H10), tightening using a phillips head screwdriver. Repeat process for other drawer.


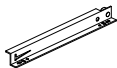


Step 16

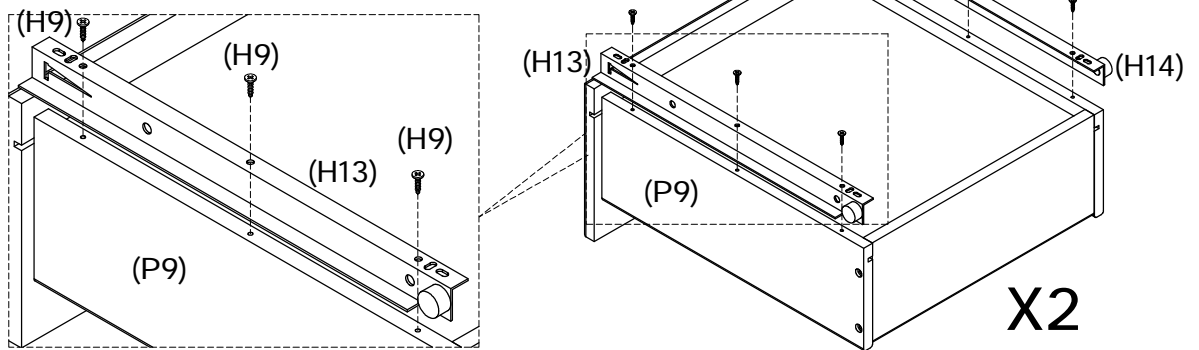
You will need:		
		
4 x Handle Screws (H7)	2 x Handles (H8)	Phillips Head Screwdriver



Attach 1 x handle (H8) to drawer front using 2 x handle screws (H7). Repeat process for the other drawer.

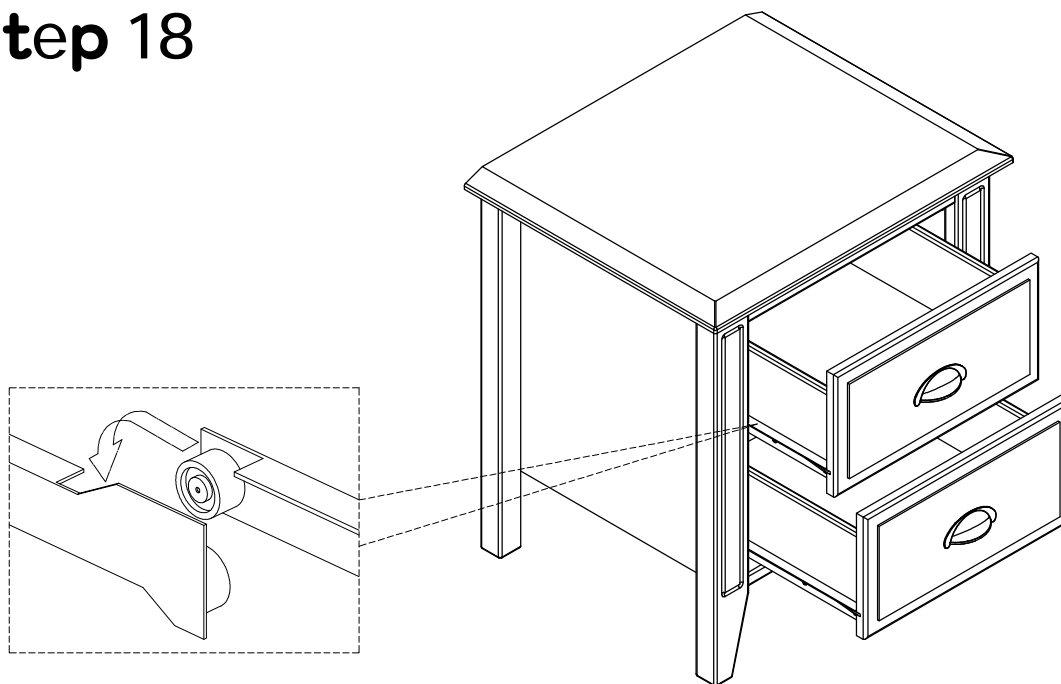
Step 17

You will need:			
			
12 x Small Screws (H9)	2 x Left Runners (H13)	2 x Right Runners (H14)	Phillips Head Screwdriver



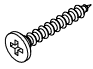



Attach 1 x left runner (H13) and 1 x right runner (H14) to the bottom of drawer sides (P9, P10) using 3 x small screws (H9). Ensure you insert the screws into the holes as shown. Repeat process for the other drawer.

Step 18

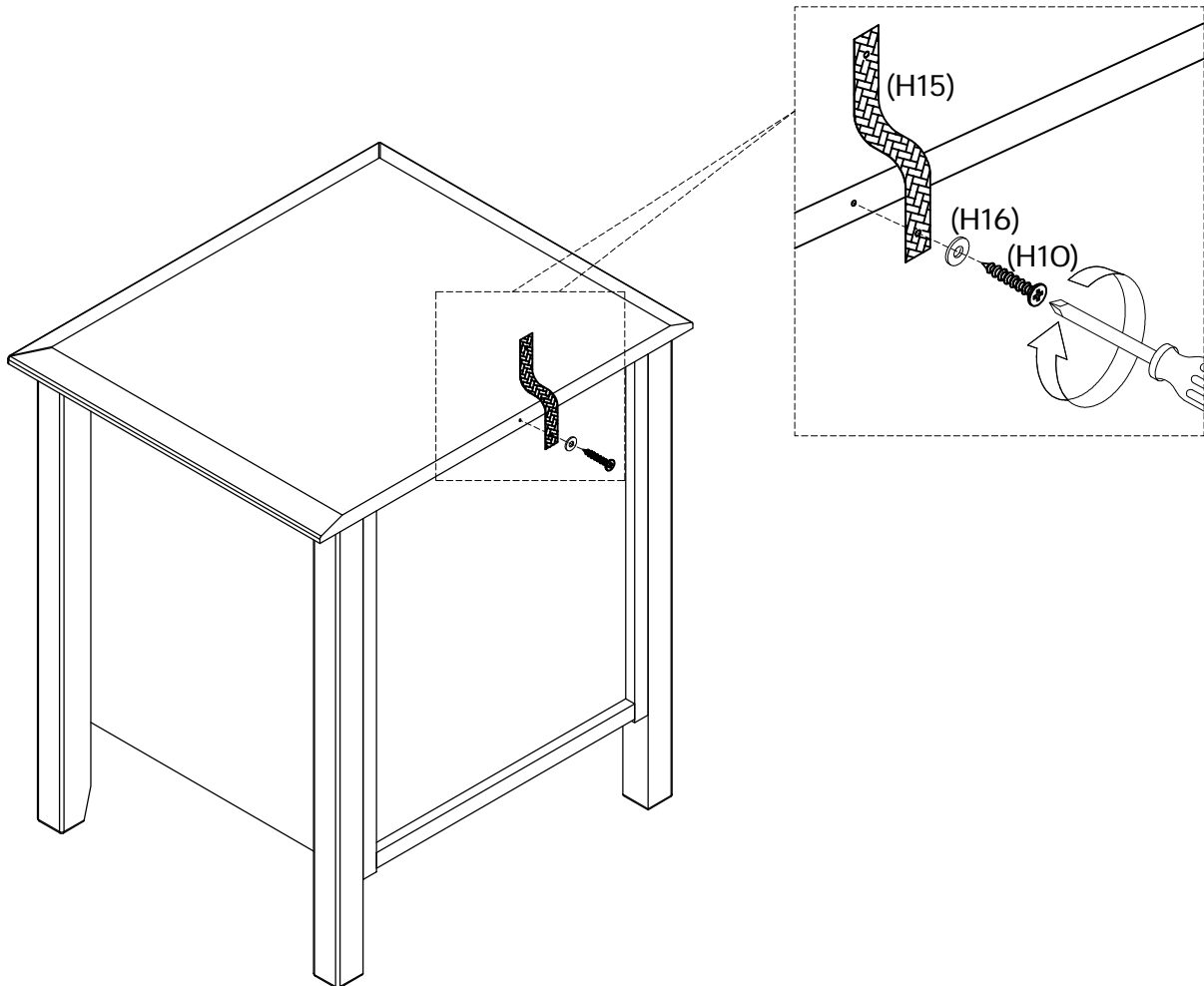


Slide the 2 x assembled drawers into the bedside table as shown.

Step 19



You will need:			
			
1 x Large Screws (H10)	1 x Wall Strap (H15)	1 x Washer (H16)	Phillips Head Screwdriver

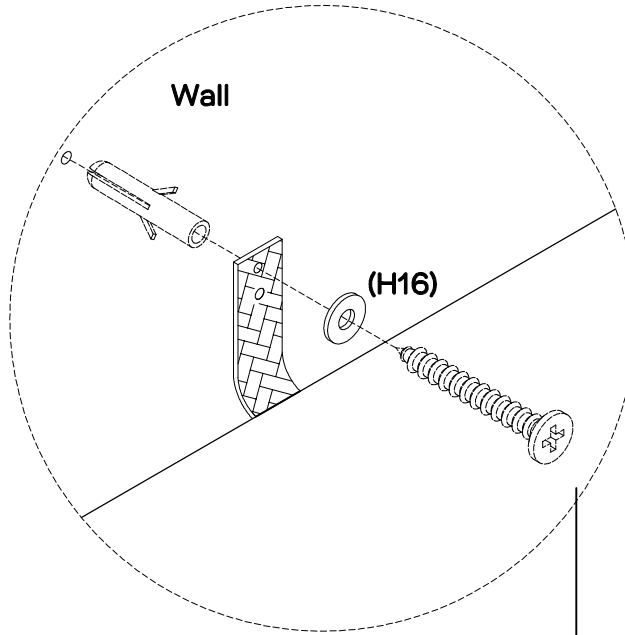
We strongly advise that you use the wall safety strap provided to prevent the unit toppling.



Attach wall strap (H15) to back of the top panel (P1) using 1 x large screw (H10) and 1 x washer (H16).

Step 20

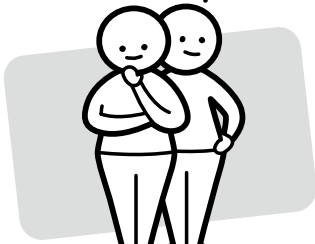
You will need:	
	
1 x Washer (H16)	Phillips Head Screwdriver



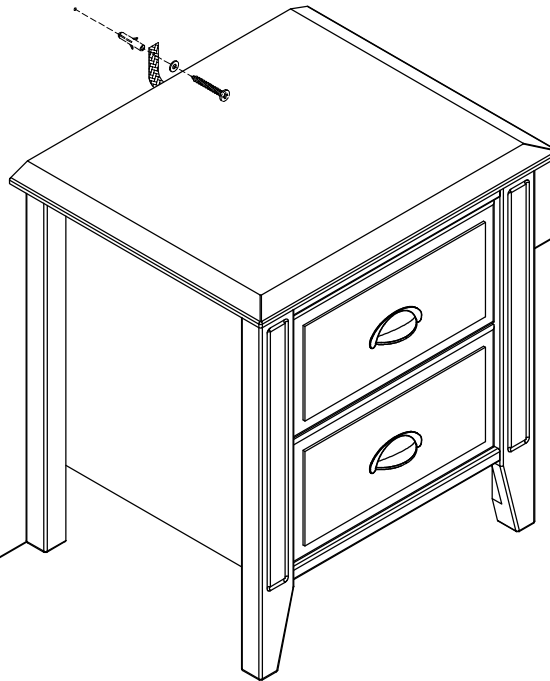
Screw and Wall Plug are not provided.
Please use appropriate fixtures for your wall.

Seek advice from a qualified trades person on how to attach safety strap to the wall .

Two People

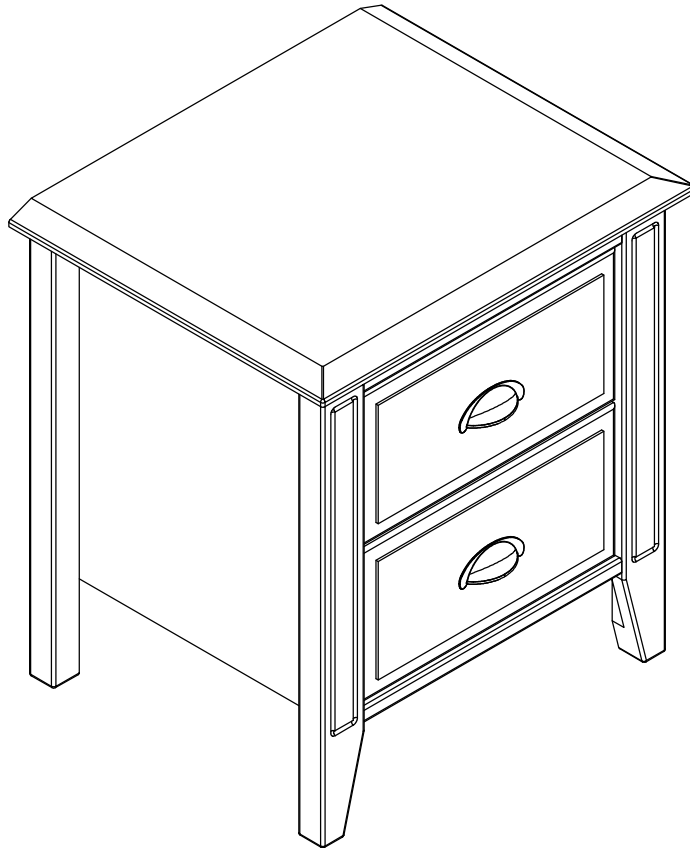


Required



With assistance, move the bedside to its final position. Attach the wall strap to the wall. Ensure it is firmly attached and secure.

Step 21



Job Complete!

In the interest of our environment please dispose
of all packing thoughtfully.